



Creating a cleaner, safer world™

6400 Power Sweeper



800.440.6723

www.southeasternequipment.net

World-Class Performance

The Model 6400: a compact cleaner that offers high-performance sweeping.

This powerful direct-throw sweeper picks up a variety of debris including dust, sand, broken glass and bulky litter. And its compact size means it maneuvers down narrow aisles and in congested spaces.

The 6400's main brush sweeps debris from dust and sand to small rocks and paper, while the retractable side brush cleans edges and corners. At the same time, a high-volume vacuum fan pulls airborne dust particles through the patented Perma-Filter™, trapping micron-sized particles in the 74 sq. ft. (6.9 m²) disposable filter.

Three Benefits Define the 6400's Global Popularity

Flexibility: Choose from six power platforms to meet your facility's needs.

Simplicity: Auto-on brushes and simple controls mean almost anyone can operate the 6400.

Productivity: The 6400 sweeps up to 132,000 square feet per hour (12,300 m²).

Productivity-Enhancing Options

A sturdy, UL-tested overhead guard keeps operators safe, and a vacuum wand cleans both hard-to-reach spaces and the tightest of corners.

Side brush dust control helps keep dust off equipment and product making it ideal for heavy-dust applications.



Floating, multi-level dump, non-corrosive hopper, with replaceable steel skidplate, dumps up to 5 ft. (1525 mm) high.



No-tool brush change and no-tool filter change makes maintenance quick and easy.



800.440.6723 • www.southeasternequipment.net

64



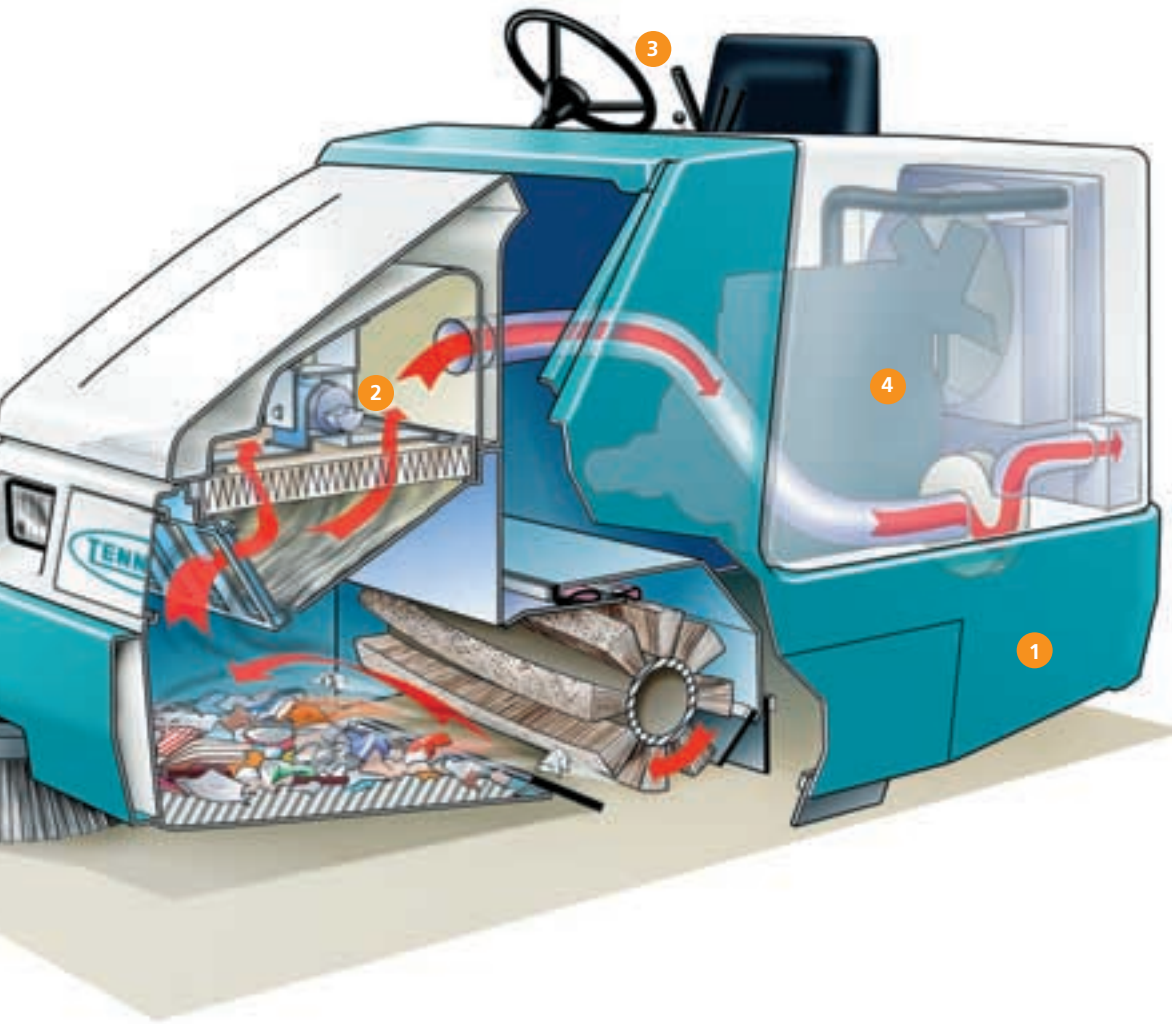
An outdoor package puts pneumatic tires all around for a superior ride on uneven surfaces.



Battery power means longer run times which is especially helpful in large warehouses.



Built solid with a liquid-cooled engine, the 6400 cleans the most rugged environments.



The Model 6400

- 1 T-beam frame construction plus corrosion-resistant hopper and shroud mean the 6400 lasts long.
- 2 No-tool brush change and InstantAccess™ no-tool removable panel filter make for quick and easy inspection and maintenance. Fail-safe filter design seals on both sides for lasting performance.
- 3 Power steering and clear sightlines help operator turn the tightest corners and maneuver in the most congested areas. Operator comfort is maximized with easy-to-understand displays, adjustable foot pedal and noise levels as low as 78 dBA.
- 4 Air-cooled/liquid-cooled gas, LP, and even diesel (liquid-cooled only) means a variety of power platforms to meet your exact needs.

400 Power Sweeper

800.440.6723 • www.southeasternequipment.net

Specifications*

Propelling System

Speed forward	6 mph	9.6 km/h
Speed reverse	3 mph	4.8 km/h
Gradeability		
Full hopper	8.0 deg	14.1%
Empty hopper	10.0 deg	17.6%

Cleaning System

Cleaning path	50 in	1270 mm
Hopper volume capacity	11.25 ft ³	315 L
Hopper weight capacity	700 lb	315 kg
Hopper dump height	60 in	1525 mm
Vacuum fan	9 in	230 mm
Main brush length	36 in	915 mm
Main brush drive	Hydraulic w/case drain	
Filter area	74 ft ²	6.9 m ²
Minimum aisle turn	93 in	2360 mm

Power Plants

Air cooled petrol/LP	20.0 hp	14.9 kW
Liquid cooled petrol/LP	24.5 hp	18.3 kW
Liquid cooled diesel	26.0 hp	19.4 kW
Battery power		
(propelling motor)	2.1 hp	1.6 kW
(accessory motor)	4.0 hp	3.0 kW

Tennant Value Added Equipment Includes:

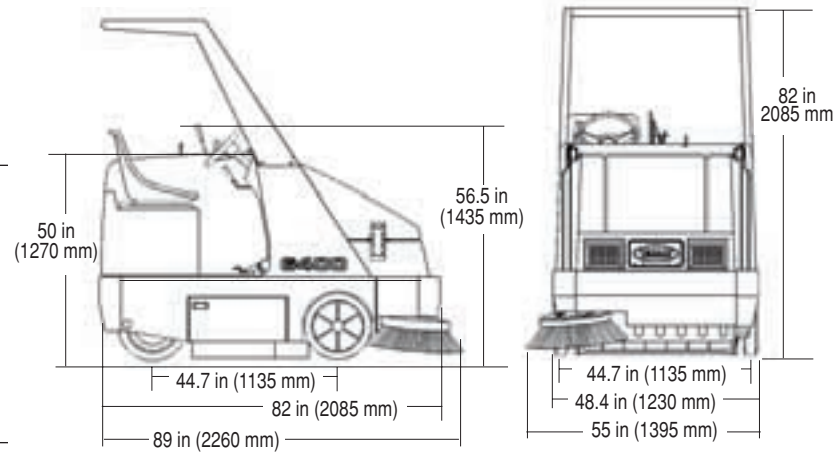
Multi-level dump	No-tool brush change
Corrosion-resistant hopper and shroud	Perma-Filter™
InstantAccess™ filter change	Power steering
Wet sweep bypass	Cup holder

Optional Equipment

Audio visual backup alarm	Overhead guard
Light packages	Power Wand
Side brush dust control	Non-marking tires
Multiple battery packages	Suspension seat
Severe environment indicator package	Fire extinguisher

* Subject to change without notice.

Dimensions



The SB2 Sidebrush offers an even greater degree of cleaning control.



The vacuum wand cleans both hard-to-reach areas, and into the tightest spots.

Creating a cleaner, safer world™

Tennant Company offers the most complete line of floor and surface maintenance equipment, floor coatings, brushes, and cleaning detergents in the world. Our sales and service network is able to provide you with integrated custom cleaning solutions to meet any floor care need.

ISO 9001 Certified



Tennant Company

P.O. Box 1452
 Minneapolis, MN U.S.A. 55440
 Call toll-free: 1-800-553-8033
 In Quebec call: 514-335-6061
 Fax: 763-540-1437
 www.tennantco.com

Southeastern
EQUIPMENT & SUPPLY, INC.

800.440.6723

www.southeasternequipment.net